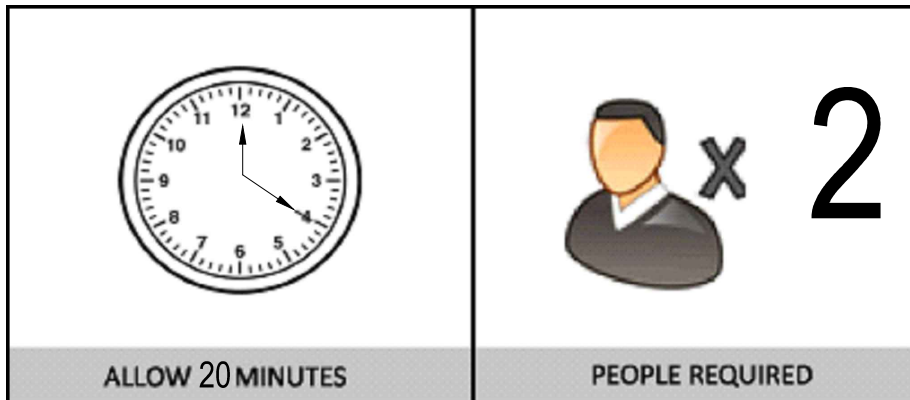


Imported by Amart Furniture Pty Ltd, Brisbane QLD, Australia.
For any assistance with assembly or for missing parts please phone
Amart Furniture, Customer Service Freecall 1800 351 084

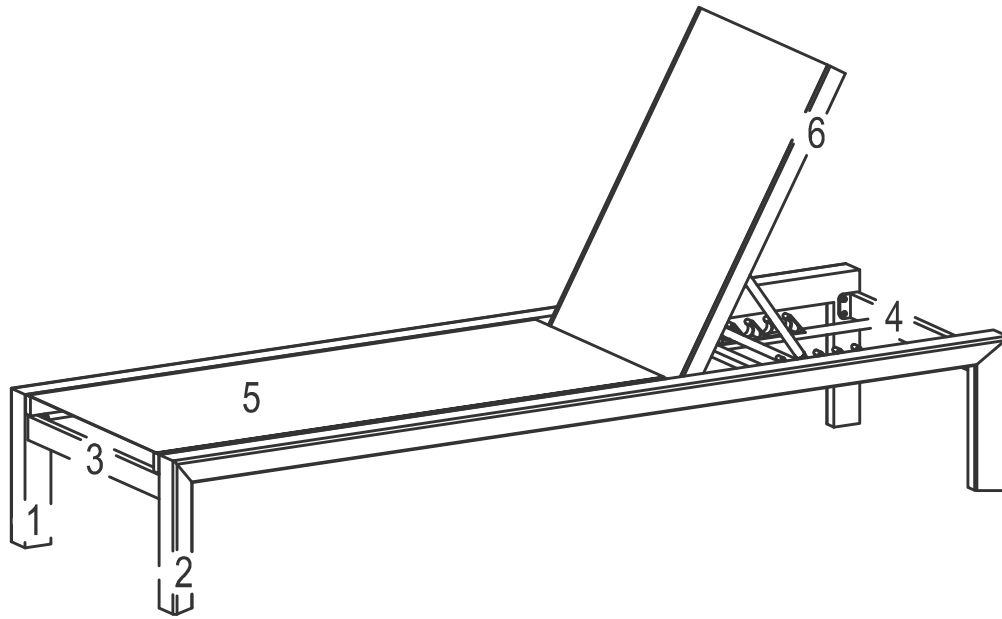
PRE-ASSEMBLY PREPARATION




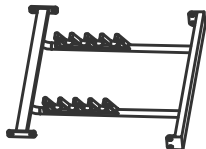
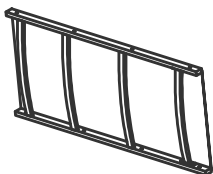
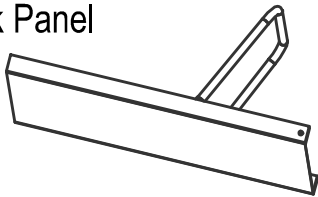
Before you start:

1. Choose a clean, level, spacious assembly area. Avoid hard surfaces that may damage the product.
2. Take care when lifting. Product should be assembled as near as possible to the point of use.
3. Ensure that you have all required contents for complete assembly.
4. Always read the assembly instructions carefully before beginning assembly.
5. Keep all hardware parts and packaging out of reach of small children.
6. Do not over tighten the screws and bolts as this may damage the threads.



PARTS LIST



<p>1 Right Leg 1PC</p> 	<p>2 Left Leg 1PC</p> 
<p>3 Connecting Rod 1PC</p> 	<p>4 Back Panel Support Bar 1PC</p> 
<p>5 Seat Panel 1PC</p> 	<p>6 Back Panel 1PC</p> 

A. Bolt



M6*20*12PCS

B. Bolt



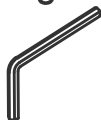
M6*35*10PCS

C. Shim




M6*22PCS

D. Hexagon Key



M6*1PC







E. Plastic Washer



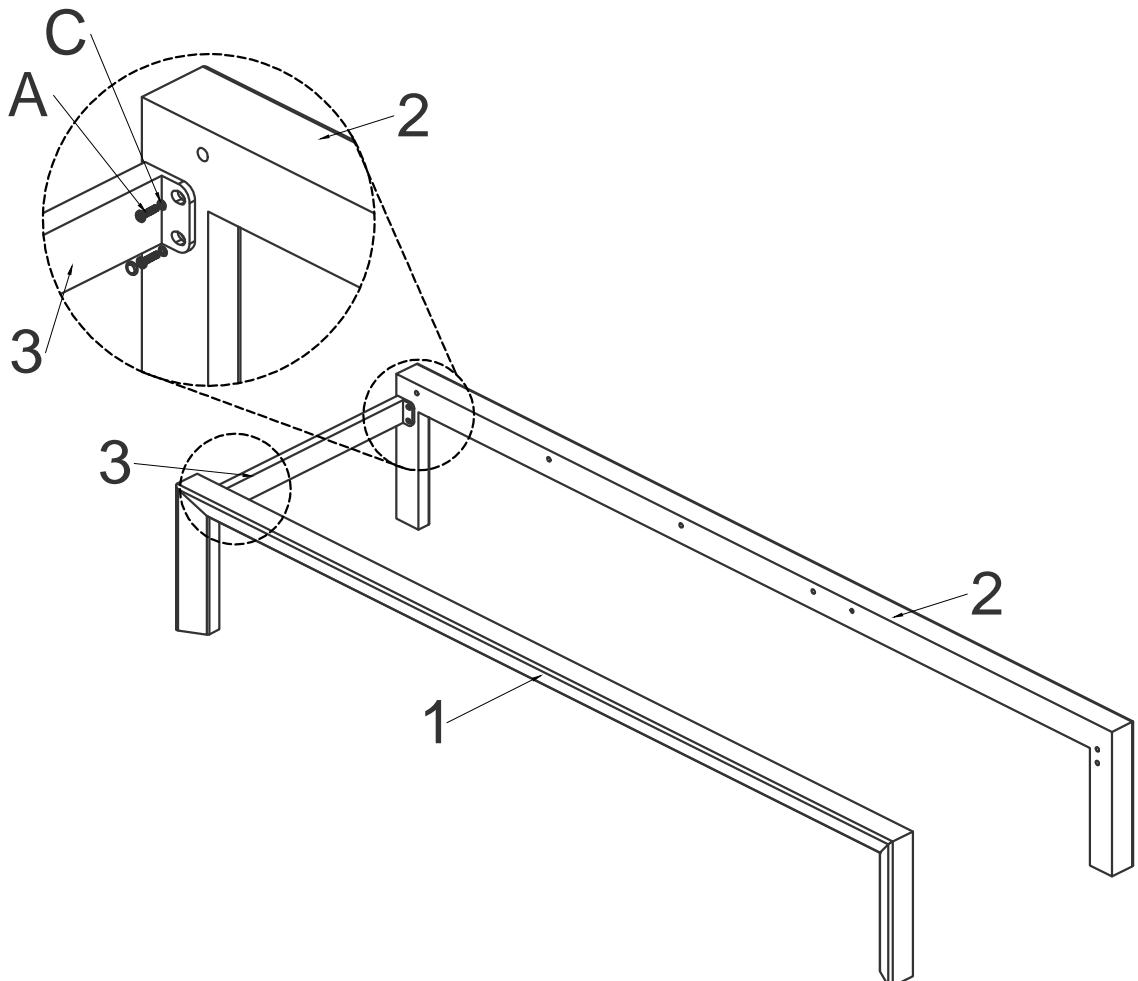
M6*2PCS

Step 1:

ITEMS REQUIRED

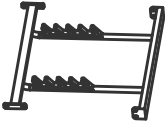



1. Right Leg 1PC 	2. Left Leg 1PC 	3. Connecting Rod 1PC 
A. Bolt  M6*20*4PCS	C. Shim  M6*4PCS	D. Hexagon Key  M6*1PC

- Attach connecting rod (3) to right leg (1) and left leg (2) using bolt (A) with shim (C).
- Insert all bolts before fully tightening.
- Tighten with hexagon key (D).

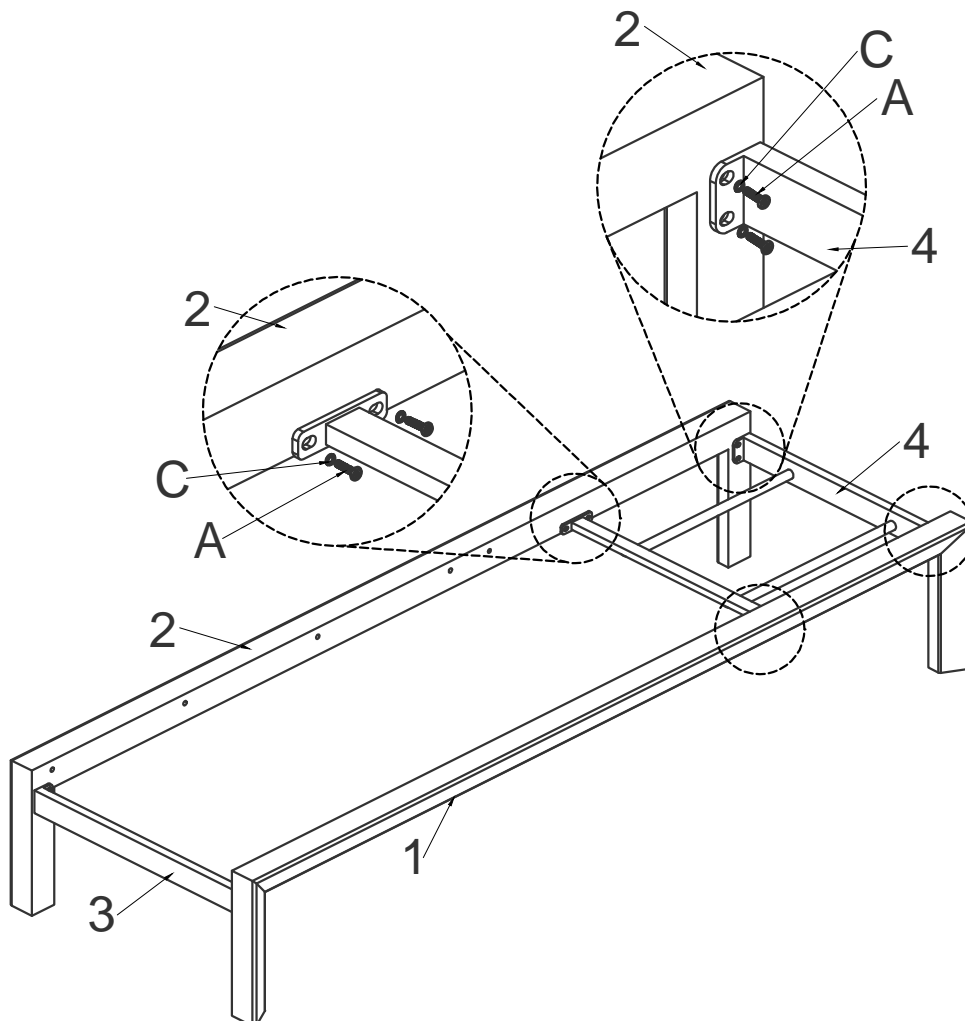


Step 2:

ITEMS REQUIRED

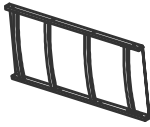



4. Back Panel Support Bar 1PC 		
A. Bolt  M6*20*8PCS	C. Shim  M6*8PCS	D. Hexagon Key  M6*1PC

- Attach back panel support bar (4) to right leg (1) and left leg (2) using bolt (A) with shim (C).
- Insert all bolts before fully tightening.
- Tighten with hexagon key (D).

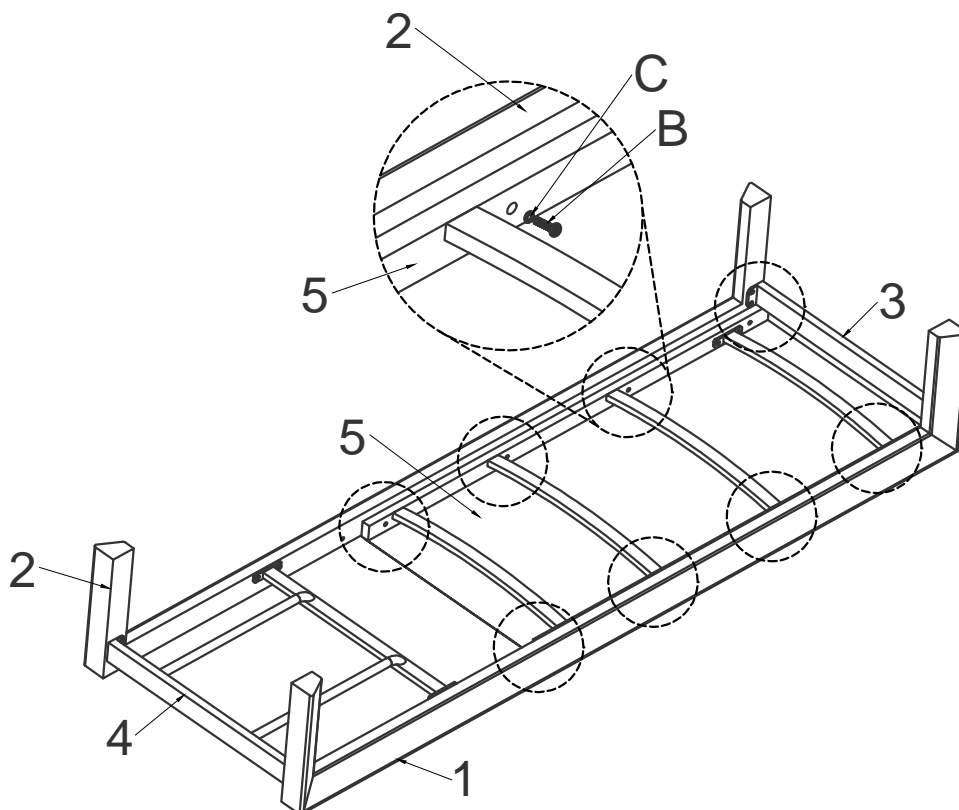


Step 3:

ITEMS REQUIRED

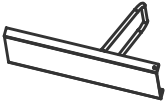




5. Seat Panel 1PC 		
B. Bolt  M6*35*8PCS	C. Shim  M6*8PCS	D. Hexagon Key  M6*1PC

- Attach seat panel (5) to right leg (1) and left leg (2) using bolt (B) with shim (C).
- Insert all bolts before fully tightening.
- Tighten with hexagon key (D).

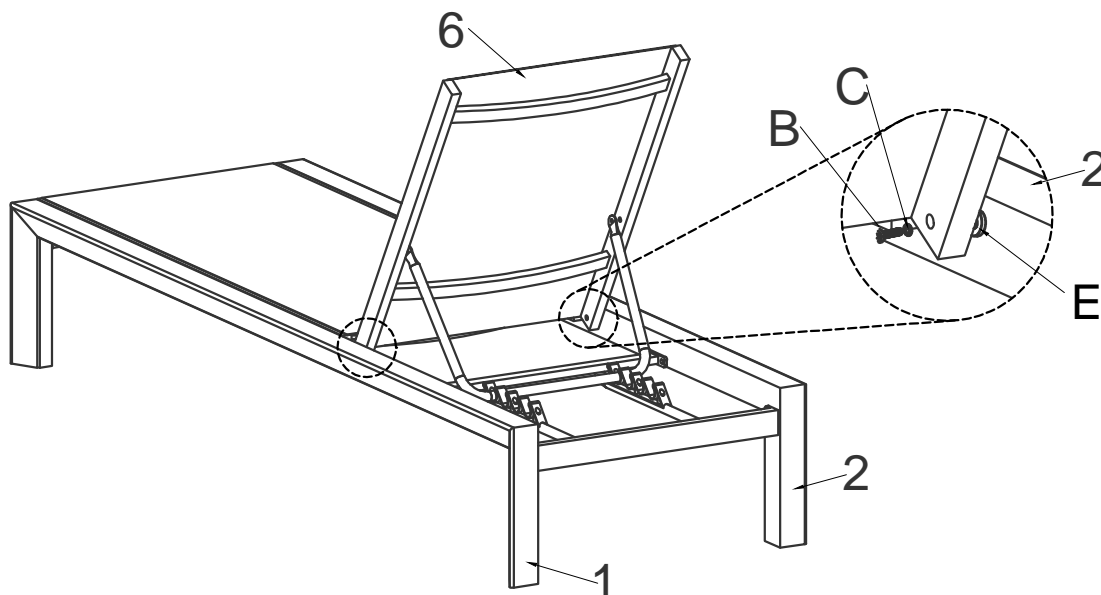


Step 4:

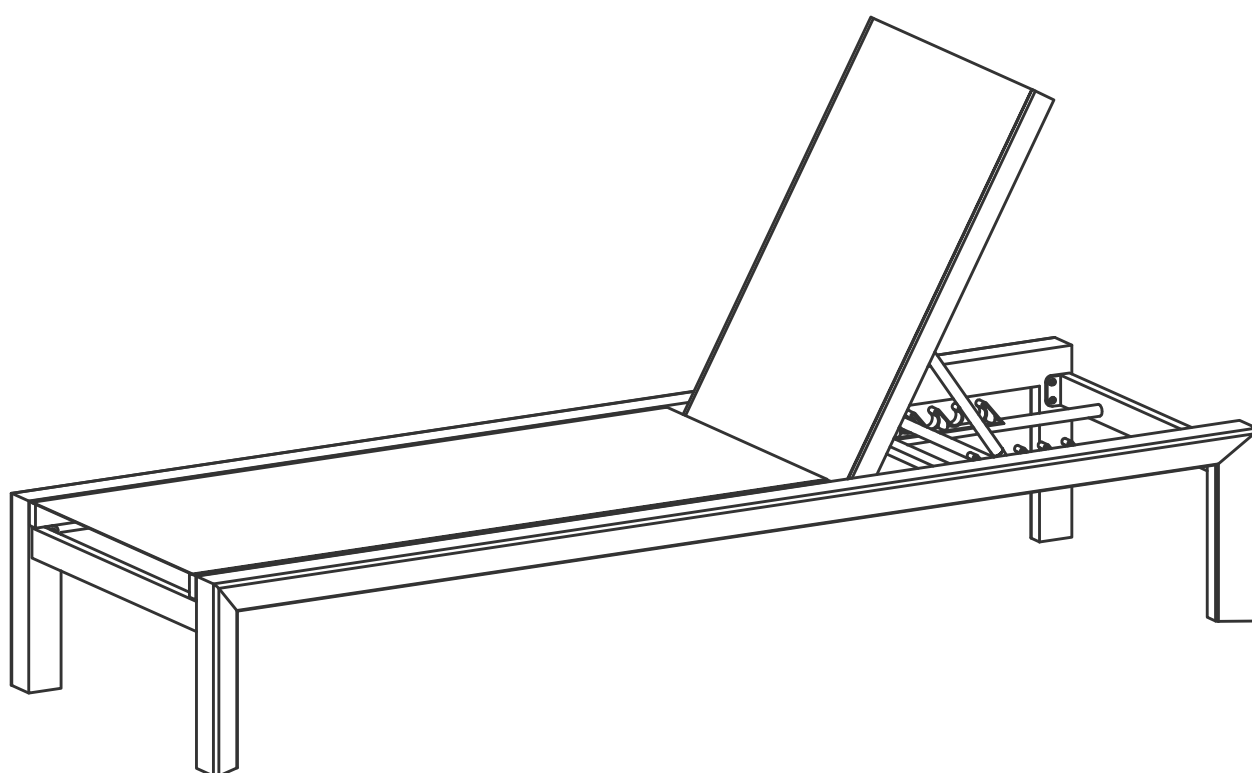
ITEMS REQUIRED

6. Back Panel 1PC 			
B. Bolt  M6*35*2PCS	C. Shim  M6*2PCS	D. Hexagon Key  M6*1PC	E. Plastic Washer  M6*2PCS

- Attach back panel (6) to right leg (1) and left leg (2) using bolt (B) with shim (C) and plastic washer (E) .
- Plastic washer (E) needs to be between leg (2) and back panel (6).
- **Insert all bolts before fully tightening.**
- Tighten with hexagon key (D) .



ASSEMBLY IS COMPLETE



Care and maintenance

Aluminium

To ensure the longevity and maintain the appearance of your aluminium outdoor furniture, please follow these care instructions:

1.Usage and Storage:

This item is designed for outdoor use, but, like all man-made materials, it can suffer damage if left exposed to the elements. To extend its life, avoid prolonged exposure to weather conditions. Store the furniture indoors or under cover when not in use or use an outdoor cover (do not store on grass).

2.Avoid Excess Moisture:

DO NOT allow the furniture to remain wet or sit in standing water for long periods. Wipe the furniture dry immediately if it becomes wet. Excess moisture can cause corrosion.

3.Avoid exposure to chlorine & salt water:

Chlorine/salt can disrupt the protective oxide layer on aluminium, leading to accelerated corrosion. This is particularly problematic in environments with high chlorine concentrations, such as in swimming pools, homes within a short distance of the ocean or areas with heavy chlorination.

4.Cleaning:

Clean your furniture with care. Avoid using harsh solvents, abrasives, or chemicals. To remove dirt and grime, rinse with fresh water and dry thoroughly. For a deeper clean, use a sponge and a mild detergent solution as needed. Abrasive cleaners will scratch/damage the surface.

Live by the beach? Due to a process called "aerosolization", sea water is broken up into tiny droplets by the wind and waves and salt particles are released into the air. This process accelerates the corrosion of metal surfaces over time. It is essential to use furniture covers when the product is not in use and clean your product more frequently.

By following these simple steps, you will help keep your furniture in great condition and ensure it remains a beautiful and functional part of your outdoor space.